

# K.60

## heavy duty full port 1/4"-2" hot forged brass ball valves



### Features and Specifications:

- Hot forged sand blasted, nickel plated brass body and cap sealed with Loctite or equivalent thread sealant
- Valve length according to DIN 3202 M3 specification
- Approved by DVGW according to EN331 (D), SVGW (CH), Danmarks Gasmateriel Proving (DK), European Council (EU), GOST-R (RU), Hygenic (RU), ROSTEKHNADZOR (RU), UkrSepro (U)
- Assessment according to Pressure Equipment Directive 97/23 CE module B+D by Pascal (1115)
- Finest brass according to EN 12165 and EN 12164 (formerly DIN 17660 and UNI 5705-65) specification
- 100% full port for maximum flow
- 24h 100% seal test guaranteed
- Pure PTFE self-lubricating seats with flexible-lip design
- Dual sealing system allows valve to be operated in either direction making installation easier
- Chrome plated brass ball for longer life
- No metal-to-metal moving parts
- Blowout-proof nickel plated brass stem
- Two FPM O-rings at the stem for maximum safety
- No maintenance ever required
- Handle stops on body to avoid stresses at stem,
- Geomet® carbon steel handle with thick PVC dip coating,
- Handle clearly shows ball position,
- EN 10226-1, ISO 228 parallel Female by Female threads,
- Silicone-free lubricant on all seals,
- See non-shock cold working pressure on chart,
- Range: -40°C +170°C temperature (Warning: freezing of the fluid in the installation may severely damage the valve),
- For use with dangerous fluids temperature rating is 20°C +60°C and pressure rating is 5 bar.



### Options:

- Stem extension
- T-handle
- Oval lockable handle
- AISI 430 stainless steel handle
- Patented locking device

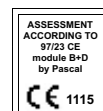
### Upon request:

- AISI 316 stainless steel ball and/or stem
- Glass filled PTFE seals
- Custom design

### Approved By:



NOTE: Approvals apply to specific configurations only.



**RUB RUBINETTERIE UTENSILERIE BONOMI**

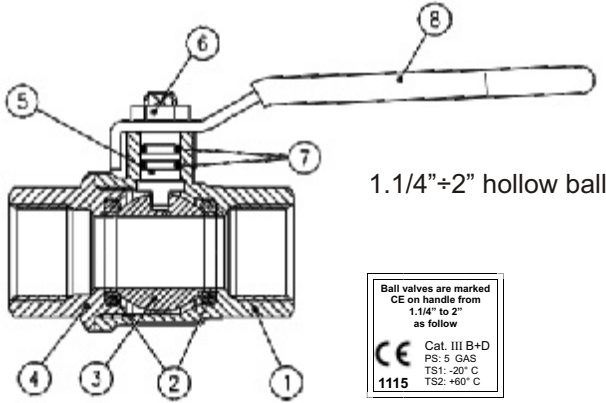


# K.60

## heavy duty full port 1/4"-2" hot forged brass ball valves



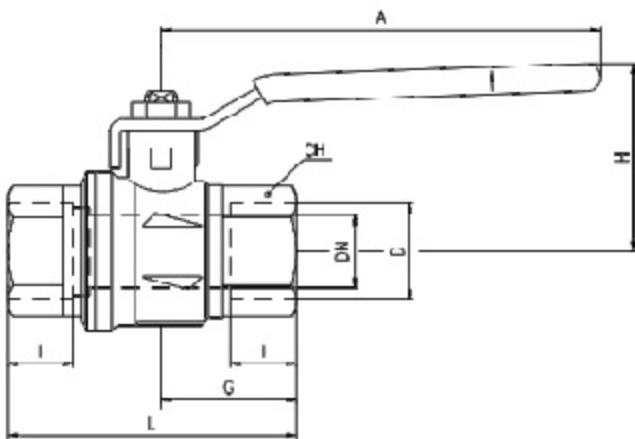
### Technical Specifications:



Ball valves are marked  
CE on handle from  
1.1/4" to 2"  
as follow

CE Cat. III B+D  
PS: 5 GAS  
TS1: -20° C  
TS2: +60° C  
1115

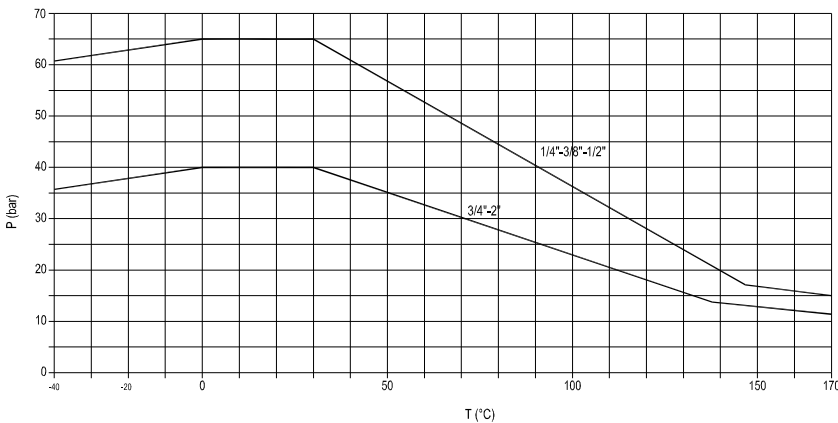
PART DESCRIPTION		Q.ty	Material
1	Nickel plated body	1	CW617N
2	Seat	2	Ptfe
3	Chrome plated ball	1	CW617N
4	Nickel plated end cap	1	CW617N
5	Nickel plated stem O-ring design	1	CW617N
6	Geomet® nut	1	CB4FF
7	O-ring	2	FPM
8	Yellow PVC coated geomet® steel handle	1	DD11



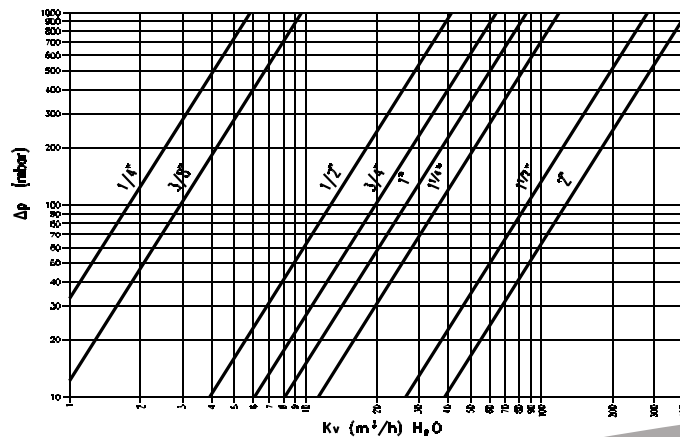
Code	S60B05	S60C05	S60D05	S60E05	S60F05	S60G05	S60H05	S60I05
D (inch)	1/4	3/8	1/2	3/4	1	1 1/4	1 1/2	2
DN (mm)	8	10	15	20	25	32	40	50
I (mm)	12.5	12.5	15.5	18	21	23	24.5	26.5
L (mm)	50	60	75	80	90	110	120	140
G (mm)	25.5	25.5	30.5	37	45.5	52	59	67.5
A (mm)	82	82	100	120	120	158	158	158
H (mm)	40	40	43	51.5	55.5	75	81	88.5
CH (mm)	22	22	27	32	41	50	55	70
PN (bar)	65	65	65	40	40	40	40	40

Ask for additional information on the whole range of RuB valves and consult with your supplier for special applications.

Pressure - Temperature Chart



Pressure Drop Chart



The company reserves all rights for the information contained herein. Products may be changed at any time without notice. Any undated reference to a code or standard shall be interpreted as referring to the latest edition. RuB and logo are registered trademark of RuB-Rubinetteria utensilerie Bonomi. Others logos are property of respective owners.

**RUB RUBINETTERIE UTENSILERIE BONOMI**

Via Padana Superiore 27/29 25080 Ciliverghe di Mazzano (Bs) Italy  
Ph: +39 030 212441 - Fax: +39 030 2629498  
sales@rubvalves.com - www.rubvalves.com

