

k.60 Spring Return heavy duty full port 1/4"-2" hot forged brass ball valves



Access to fluid systems in public places could potentially convert into costs and safety problems. In order to avoid unattended valves being left open with negative economic or environmental consequences, RuB developed the automatic self-closing valve.

The valve can be opened normally by rotating the handle 90° and when the user releases the handle, the valve shuts off automatically.

Best solution for service stations, trucks, public areas, gardens.

The same features are also useful in industrial applications, where a valve must not be left open unattended.

Features and Specifications:

- Hot forged sand blasted, nickel plated brass body and cap sealed with Loctite or equivalent thread sealant
- Valve length according to DIN 3202 M3 specification
- Approved by DVGW (D), GOST-R (RU), Hygenic (RU), ROSTEKHNADZOR (RU), UkrSepro (U)
- Assessment according to Pressure Equipment Directive 97/23 CE module B+D by Pascal (1115)
- Finest brass according to EN 12165 and EN 12164 (formerly DIN 17660 and UNI 5705-65) specifications
- Robust spring ensures auto shut-off with max pressure in valve
- 100% full port for maximum flow
- 24h 100% seal test guaranteed
- Pure PTFE self-lubricating seats with flexible-lip design
- Dual sealing system allows valve to be operated in either direction making installation easier
- Chrome plated brass ball for longer life
- No metal-to-metal moving parts
- Blowout-proof nickel plated brass stem
- Two FPM O-rings at the stem for maximum safety
- No maintenance ever required
- Handle stops on body to avoid stresses at stem
- Geomet® carbon steel handle with thick PVC dip coating
- Handle clearly shows ball position
- EN 10226-1, ISO 228 parallel Female by Female threads
- Silicone-free lubricant on all seals
- See non-shock cold working pressure on chart
- Range: -40°C +170°C temperature (Warning: freezing of the fluid in the installation may severely damage the valve)
- For use with dangerous fluids temperature rating is -20°C +60°C and pressure rating is 5 bar

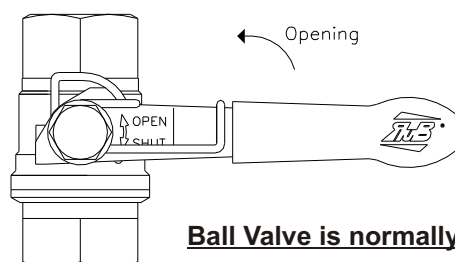


Options:

- AISI 430 stainless steel handle

Upon request:

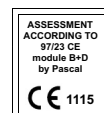
- AISI 316 stainless steel ball and/or stem
- Custom design



Approved By:



NOTE: Approvals apply to specific configurations only.

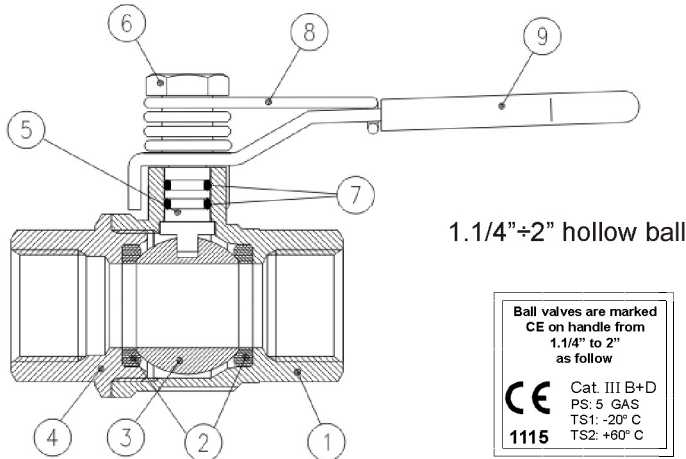


RUB RUBINETTERIE UTENSILERIE BONOMI

k.60 Spring Return heavy duty full port 1/4"-2" hot forged brass ball valves



Technical Specifications:

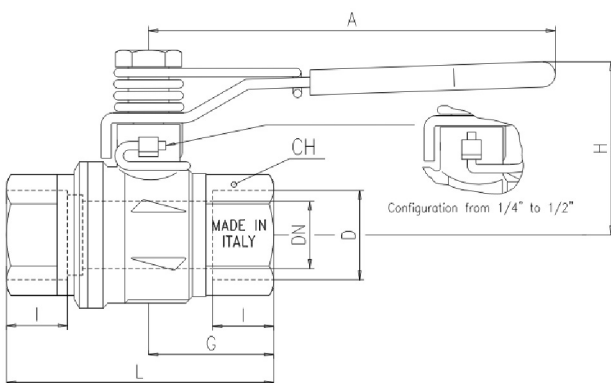


PART DESCRIPTION		Q.ty	Material
1	Nickel plated body	1	CW617N
2	Seat	2	Ptfe
3	Chrome plated ball	1	CW617N
4	Nickel plated end cap	1	CW617N
5	Nickel plated stem O-Ring design	1	CW617N
6	Unplated spring nut	1	CW617N
7	O-Ring	2	FPM
8	Spring return	1	AISI302
9	Yellow PVC coated geomet® steel handle	1	DD11

Ball valves are marked CE on handle from 1.1/4" to 2" as follow

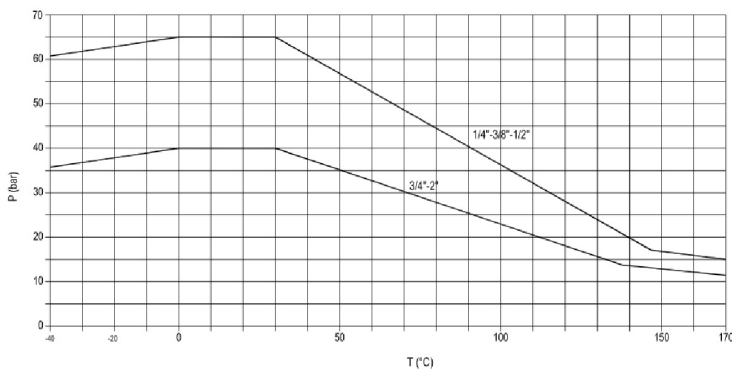
CE Cat. III B+D
PS: 5 GAS
TS1: -20° C
TS2: +60° C
1115

Code	S60B05M	S60C05M	S60D05M	S60E05M	S60F05M	S60G05M	S60H05M	S60I05M
D (inch)	1/4	3/8	1/2	3/4	1	1 1/4	1 1/2	2
DN (mm)	8	10	15	20	25	32	40	50
I (mm)	12.5	12.5	15.5	18	21	23	24.5	26.5
L (mm)	50	60	75	80	90	110	120	140
G (mm)	25.5	25.5	30.5	37	45.5	52	59	67.5
A (mm)	100	100	100	120	120	158	158	158
H (mm)	40	40	43	51	55	75	81	88
CH (mm)	22	22	27	32	41	50	55	70
PN (bar)	65	65	65	40	40	40	40	40

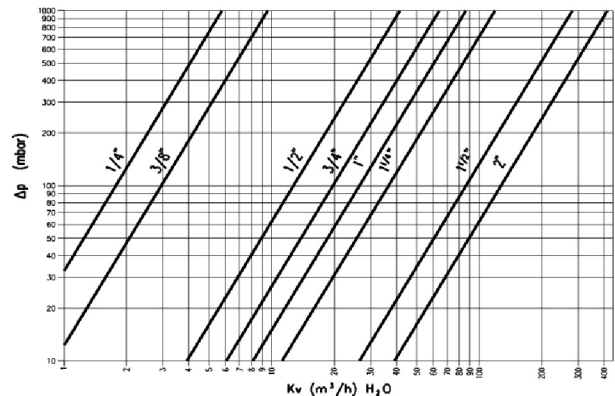


Ask for additional information on the whole range of RuB valves and consult with your supplier for special applications.

Pressure - Temperature Chart



Pressure Drop Chart



The company reserves all rights for the information contained herein. Products may be changed at any time without notice. Any undated reference to a code or standard shall be interpreted as referring to the latest edition. RuB and logo are registered trademark of RuB-Rubinetteria utensilerie Bonomi. Others logos are property of respective owners.