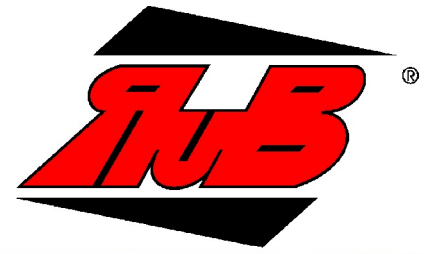


s.90 full port 1/4" - 4" hot forged brass ball valves



Features and Specifications:

- Hot forged sand blasted, nickel plated brass body and cap sealed with Loctite or equivalent thread sealant
- Approved by Danish Board of European Technical Approval for Construction Products VA Approval (DK), GOST-R (RU), Hygenic (RU), ROSTEKHNADZOR (RU), UkrSepro (U), Water Regulation Advisor Scheme (United Kingdom)
- Finest brass according to EN 12165 and EN 12164 (formerly DIN 17660 and UNI 5705-65) specifications
- Full port to DIN 3357 for maximum flow
- 24h 100% seal test guaranteed
- Pure PTFE self-lubricating seats with flexible-lip design
- Dual sealing system allows valve to be operated in either direction making installation easier
- Chrome plated brass ball for longer life
- No metal-to-metal moving parts
- Blowout-proof nickel plated brass stem
- Two FPM O-rings at the stem for maximum safety
- No maintenance ever required
- Handle stops on body to avoid stresses at stem
- Geomet® carbon steel handle with thick PVC dip coating
- Handle clearly shows ball position
- ISO 228 Female by Female threads
- Silicone-free lubricant on all seals
- 40 bar (Kg/cm²) up to 2", 30 bar over 2", non-shock cold working pressure
- Range: -40°C +170°C temperature (Warning: freezing of the fluid in the installation may severely damage the valve)



Options:

- Dezincification Resistant brass body and components,
- Male by Female threads,
- Male by Male threads,
- Stem extension,
- T-handle,
- Oval lockable handle up to 2", round over 2",
- AISI 430 stainless steel handle,
- Patented locking device for valves up to 4".

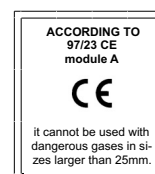
Upon request:

- AISI 316 stainless steel ball and/or stem
- Glass filled PTFE seals
- Custom design

Approved By:



NOTE: Approvals apply to specific configurations only.

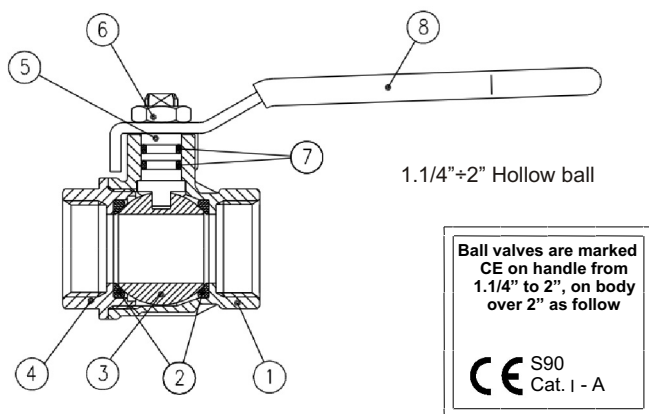


RUB RUBINETTERIE UTENSILERIE BONOMI

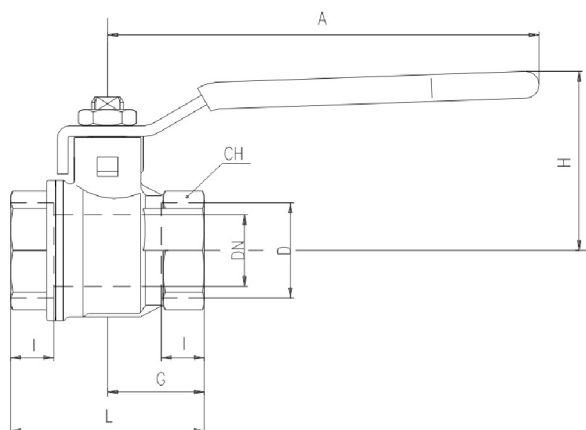
s.90 full port 1/4" - 4" hot forged brass ball valves



Technical Specifications:



PART DESCRIPTION		Q.ty	Material
1	Nickel plated body	1	CW617N
2	Seat	2	Ptfe
3	Chrome plated ball	1	CW617N
4	Nickel plated end cap	1	CW617N
5	Nickel plated stem O-ring design	1	CW617N
6	Geomet® nut	1	CB4FF
7	O-ring	2	FPM
8	Red PVC coated geomet® steel handle	1	DD11

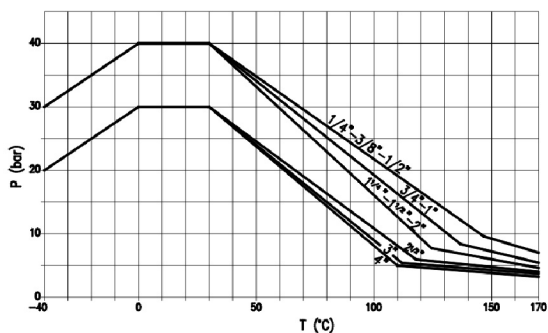


Code	S90B00	S90C00	S90D00	S90E00	S90F00	S90G00	S90H00	S90I00	S90L00	S90M00	S90N00
D (inch)	1/4	3/8	1/2	3/4	1	1 1/4	1 1/2	2	2 1/2	3	4
DN (mm)	8	10	15	20	25	32	40	50	65	80	100
l (mm)	9	9	11	12	14	15	17	19	22	25	29
L (mm)	39	39	50	54	67	77	90	106	136	157	191
G (mm)	19.5	19.5	25	27	33.5	38.5	45	53	68	78.5	95.5
A (mm)	82	82	100	120	120	158	158	158	255	255	255
H (mm)	38	38	43	50	54	73	79	86	132	140	154
CH (mm)	20	20	25	31	38	48	54	66	85	99	125

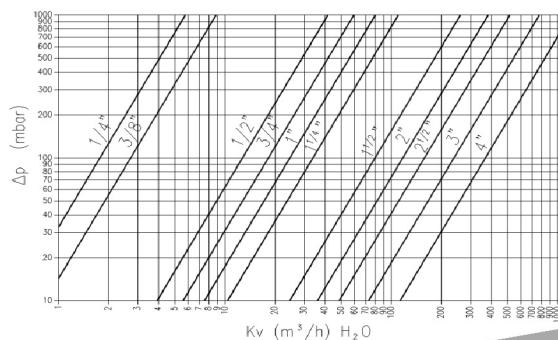
DN shows the nominal flow diameter.
Actual flow diameter complies with full port DIN 3357 part 4.
Stem configuration of valves over 2" is slightly different.
Ask for details at our Service Center.

Ask for additional information on the whole range of RuB valves and consult with your supplier for special applications.

Pressure - Temperature Chart



Pressure Drop Chart



The company reserves all rights for the information contained herein. Products may be changed at any time without notice. Any undated reference to a code or standard shall be interpreted as referring to the latest edition. RuB and logo are registered trademark of RuB-Rubinetterie utensilerie Bonomi. Others logos are property of respective owners.

RUB RUBINETTERIE UTENSILERIE BONOMI

Via Padana Superiore 27/29 25080 Ciliverghe di Mazzano (Bs) Italy
Ph: +39 030 212441 - Fax: +39 030 2629498
sales@rubvalves.com - www.rubvalves.com

