

k.84

Full Port 1/4"-2"

hot forged brass ball valves



Features and Specifications:

- Hot forged sand blasted, nickel plated brass body and cap sealed with Loctite or equivalent thread sealant
- Approved by DVGW according to EN331 (D), SVGW (CH), Danmarks Gasmateriel Provnng (DK), tested and EC certified by British Gas (UK), GOST-R (RU), Hygenic (RU), ROSTEKHNADZOR (RU), UkrSepro (U)
- Assessment according to Pressure Equipment Directive 97/23 CE module B+D by Pascal (1115)
- Finest brass according to EN 12165 and EN 12164 (formerly DIN 17660 and UNI 5705-65) specifications
- Valve length according to DIN 3202 M3 specification
- Full port to DIN 3357 for maximum flow
- 24h 100% seal test guaranteed
- Pure PTFE self-lubricating seats with flexible-lip design
- Dual sealing system allows valve to be operated in either direction making installation easier
- Chrome plated brass ball for longer life
- No metal-to-metal moving parts
- Blowout-proof nickel plated brass stem
- Two FPM O-rings at the stem for maximum safety
- No maintenance ever required
- Handle stops on body to avoid stresses at stem
- Geomet® carbon steel handle with thick PVC dip coating
- Handle clearly shows ball position
- EN 10226-1, ISO 228 parallel Female by Female threads
- Silicone-free lubricant on all seals
- 40 bar (Kg/cm²) non-shock cold working pressure
- Range: -40°C +170°C temperature (Warning: freezing of the fluid in the installation may severely damage the valve)

For use with dangerous fluids temperature rating is 20°C +60°C and pressure rating is 5 bar.



Options:

- Stem extension
- T-handle
- Oval lockable handle
- AISI 430 stainless steel handle
- Patented locking device

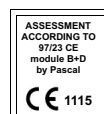
Upon request:

- Glass filled PTFE seals
- AISI 316 stainless steel ball and/or stem
- Custom design

Approved By:



NOTE: Approvals apply to specific configurations only.



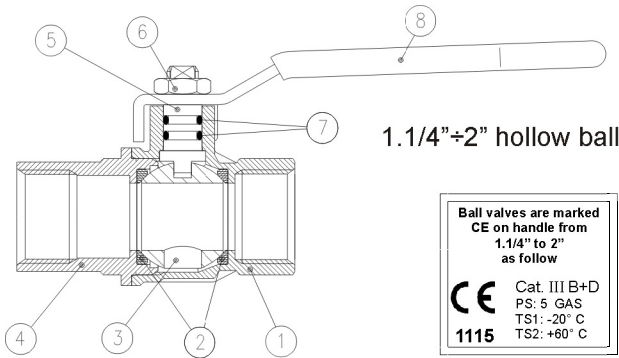
RUB RUBINETTERIE UTENSILERIE BONOMI



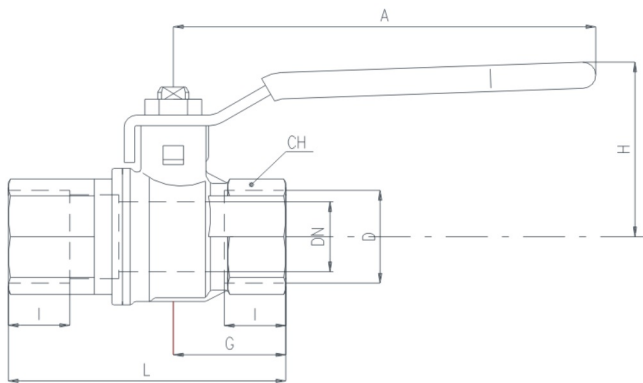
k.84 Full Port 1/4"-2" hot forged brass ball valves



Technical Specifications:



PART DESCRIPTION		Q.ty	Material
1	Nickel plated body	1	CW617N
2	Ball seat	2	Ptfe
3	Chrome plated ball	1	CW617N
4	Nickel plated end cap	1	CW617N
5	Nickel plated stem O-Ring design	1	CW617N
6	Geomet® nut	1	CB4FF
7	O-ring	2	FPM
8	Yellow PVC coated geomet® steel handle	1	DD11

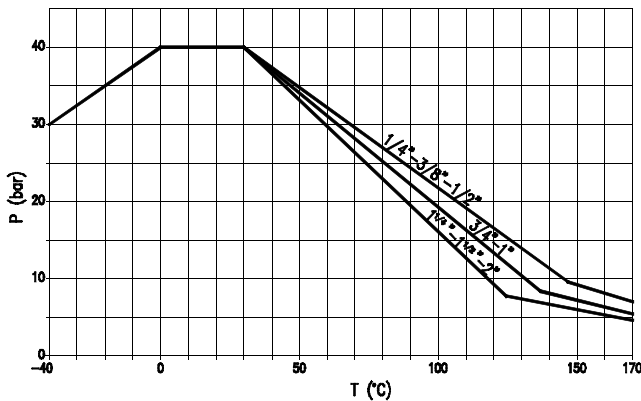


Code	S84B05	S84C05	S84D05	S84E05	S84F05	S84G05	S84H05	S84I05
D (inch)	1/4	3/8	1/2	3/4	1	1 1/4	1 1/2	2
DN (mm.)	8	10	15	20	25	32	40	50
I (mm.)	12	12	15.5	17	21	23	23	26.5
L (mm.)	50	60	75	80	90	110	120	140
G (mm.)	22.5	22.5	29.5	32	40.5	46.5	51	60.5
A (mm.)	82	82	100	120	120	158	158	158
H (mm.)	38	38	43	50	54	73	79	86
CH (mm.)	20	20	25	32	41	50	55	70

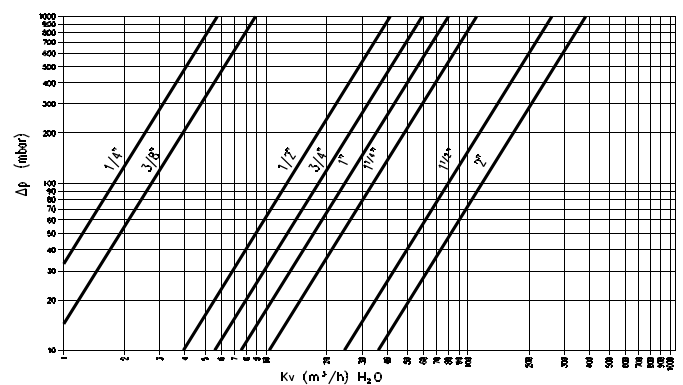
DN shows the nominal flow diameter.
Actual flow diameter complies with full port DIN 3357 part 4.

Ask for additional information on the whole range of **RuB** valves
and consult with your supplier for special applications.

Pressure - Temperature Chart



Pressure Drop Chart



The company reserves all rights for the information contained herein. Products may be changed at any time without notice. Any undated reference to a code or standard shall be interpreted as referring to the latest edition. RuB and logo are registered trademark of RuB-Rubinetteria utensilerie Bonomi. Others logos are property of respective owners.

RUB RUBINETTERIE UTENSILERIE BONOMI

Via Padana Superiore 27/29 25080 Ciliverghe di Mazzano (Bs) Italy
Ph: +39 030 212441 - Fax: +39 030 262948
sales@rubvalves.com - www.rubvalves.com

