

s.34 mini 1/8"-1/2" drawn brass ball valves



Features and Specifications:

- One piece drawn sand blasted brass body incorporating stem neck which provides excellent guidance of the stem
- Approved by Danish Board of European Technical Approval for Construction Products (DK), GOST-R (RU), Hygenic (RU), ROSTEKHNADZOR (RU), UkrSepro (U)
- Finest brass according to EN 12164 specification
- Each valve is seal tested for maximum safety
- Pure PTFE self-lubricating seats with flexible-lip design
- Dual sealing system allows valve to be operated in either direction making installation easier
- Chrome plated brass ball for longer life
- No metal-to-metal moving parts
- Two FPM O-rings at the stem for maximum safety
- No maintenance ever required
- Nylon black lever or T-handle removable with valve in service
- Lever and T-handle clearly show ball position
- ISO 228 parallel threads
- Silicone-free lubricant
- Up to 15 bar (Kg/cm²) non-shock cold working pressure
- Range: -20°C +90°C temperature



Options:

- Male by Female threads
- NPT taper ANSI B.1.20.1 Female by Female threads
- Yellow lever or T-handle
- Screw driver or wrench operated

Approved By:



NOTE: Approvals apply to specific configurations only.

The product described in this document meets the requirements of PED Directive 97/23 and according to art.3 par.3, it does not require CE marking.

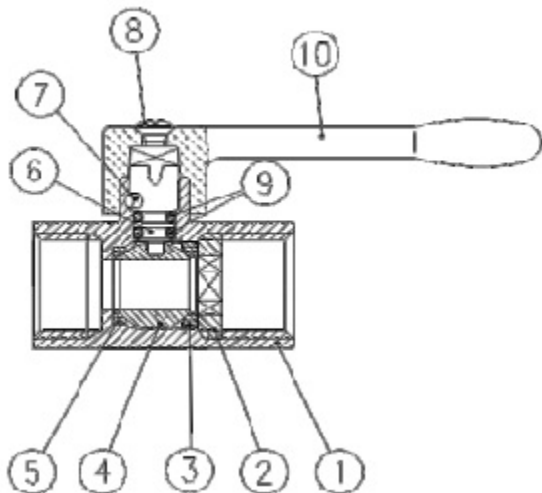


RUB RUBINETTERIE UTENSILERIE BONOM

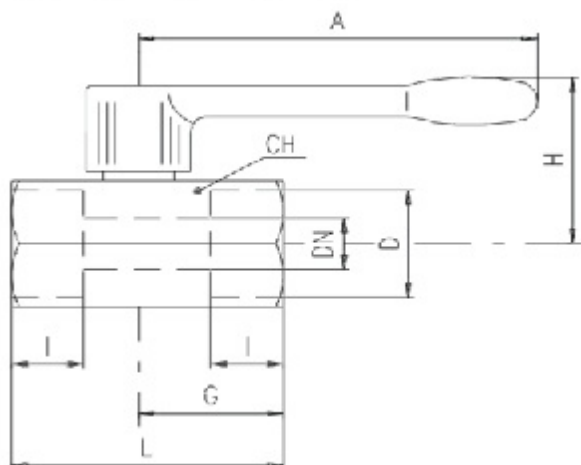
s.34 mini 1/8"-1/2" drawn brass ball valves



Technical Specifications:



PART DESCRIPTION		Q.ty	Material
1	Chrome plated body	1	CW617N
2	Retainer nut	1	CW617N
3	Retainer seat	1	Ptfe
4	Chrome plated ball	1	CW617N
5	Body seat	1	Ptfe
6	Unplated stem	1	CW617N
7	Pin	1	AISI304
8	Chrome plated screw	1	CW617N
9	O-Ring	2	FPM
10	Black handle	1	Nylon glass filled 30%

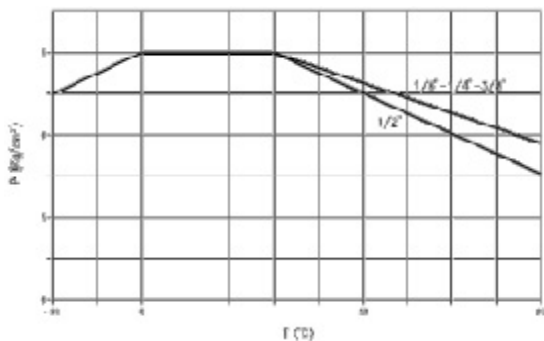


Code	S34AF0	S34BF0	S34CF0	S34DF0
D (inch)	1/8	1/4	3/8	1/2
DN(mm)	6	8	8	10
I (mm)	10	11	11	13
L (mm)	41.5	41.5	41.5	49
G (mm)	22	22	22	26
A (mm)	72	72	72	72
H (mm)	30.5	30.5	30.5	32.5
CH(mm)	21	21	21	25

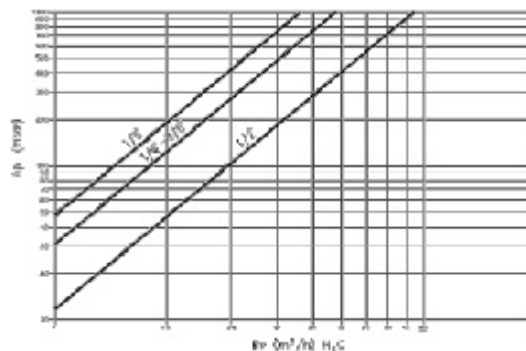
DN shows the nominal flow diameter.
For details on other configurations, ask our Service Center.

Ask for additional information on the whole range of RuB valves and consult with your supplier for special applications.

Pressure - Temperature Chart



Pressure Drop Chart



The company reserves all rights for the information contained herein. Products may be changed at any time without notice. Any undated reference to a code or standard shall be interpreted as referring to the latest edition. RuB and logo are registered trademark of RuB-Rubinetteria utensilerie Bonomi. Others logos are property of respective owners.

RUB RUBINETTERIE UTENSILERIE BONOMI

Via Padana Superiore 27/29 25080 Ciliverghe di Mazzano (Bs) Italy
Ph: +39 030 212441 - Fax: +39 030 2629498
sales@rubvalves.com - www.rubvalves.com

