

s.34 NPT 1/8"-1/2" drawn brass ball valves



Features and Specifications:

- One piece drawn sand blasted brass body incorporating stem neck which provides excellent guidance of the stem
- Approved by: UkrSepro (U)
- Finest brass according to EN 12164 specification
- 24h 100% seal test guaranteed
- Pure PTFE self-lubricating seats with flexible-lip design
- Dual sealing system allows valve to be operated in either direction making installation easier
- Chrome plated brass ball for longer life
- No metal-to-metal moving parts
- Two FPM O-rings at the stem for maximum safety
- No maintenance ever required
- Reinforced nylon black lever or T-handle removable with valve in service
- Lever and T-handle clearly show ball position
- NPT taper ANSI B.1.20.1 Female by Female threads
- Silicone-free lubricant
- Up to 200 PSI non-shock cold working pressure
- Range: -4°F +200°F temperature



Options:

- Male by Female threads
- ISO 228 parallel threads
- Yellow lever or T-handle
- Screw driver or wrench operated

Approved By:



NOTE: Approvals apply to specific configurations only.

The product described in this document meets the requirements of PED Directive 97/23 and according to art.3 par.3, it does not require CE marking.



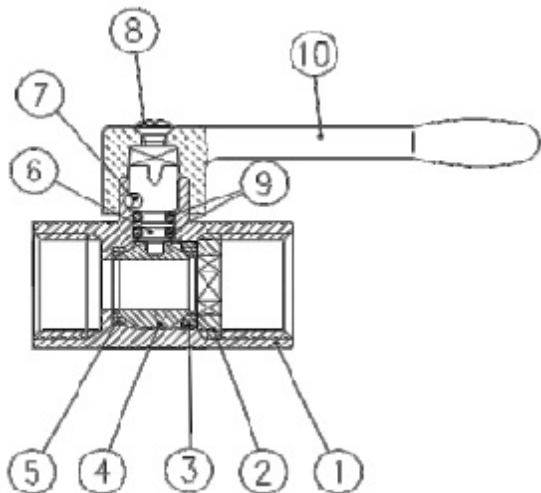
s.34 NPT

1/8"-1/2"

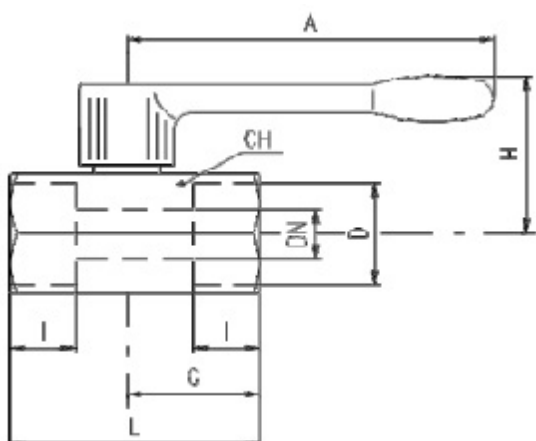
drawn brass ball valves



Technical Specifications:



PART DESCRIPTION		Q.ty	Material
1	Chrome plated body	1	CW617N
2	Retainer nut	1	CW617N
3	Retainer seat	1	Ptfe
4	Chrome plated ball	1	CW617N
5	Body seat	1	Ptfe
6	Unplated stem	1	CW617N
7	Pin	1	AISI304
8	Chrome plated screw	1	CW617N
9	O-Ring	2	FPM
10	Black handle	1	Nylon glass filled 30%

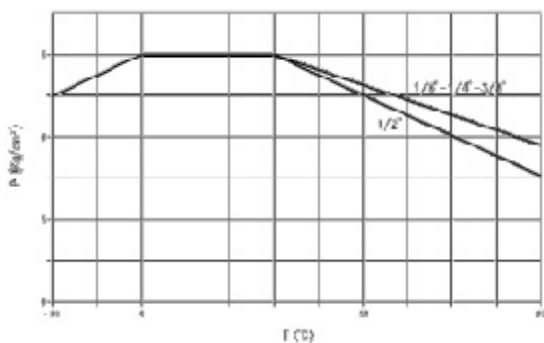


Code	S34AX0	S34BX0	S34CX0	S34DX0
D (inch)	1/8	1/4	3/8	1/2
DN(inch)	0.236	0.314	0.314	0.393
I (inch)	0.354	0.472	0.472	0.610
L (inch)	1.712	1.712	1.712	2.106
G (inch)	0.905	0.905	0.905	1.102
A (inch)	2.834	2.834	2.834	2.834
H (inch)	1.200	1.200	1.200	1.279
CH(inch)	0.826	0.826	0.826	0.984

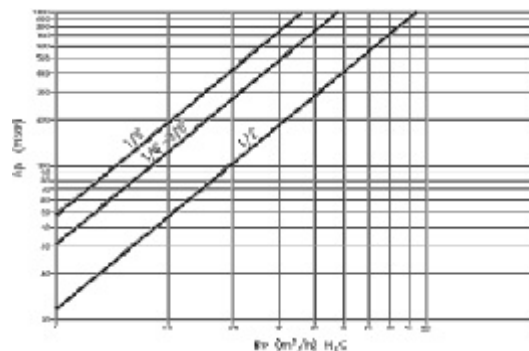
DN shows the nominal flow diameter.
For details on other configurations, ask our Service Center.

Ask for additional information on the whole range of RuB valves and consult with your supplier for special applications.

Pressure - Temperature Chart



Pressure Drop Chart



The company reserves all rights for the information contained herein. Products may be changed at any time without notice. Any undated reference to a code or standard shall be interpreted as referring to the latest edition. RuB and logo are registered trademark of RuB-Rubinetterie utensilerie Bonomi. Others logos are property of respective owners.

RUB RUBINETTERIE UTENSILERIE BONOMI

Via Padana Superiore 27/29 25080 Ciliverghe di Mazzano (Bs) Italy
Ph: +39 030 212441 - Fax: +39 030 2629498
sales@rubvalves.com - www.rubvalves.com

