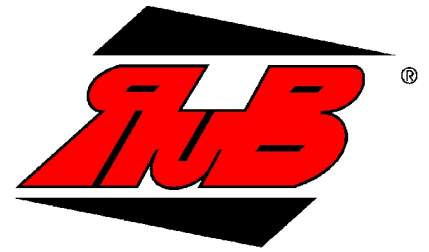


# s.35 high pressure Mini 1/8"-1/2" drawn brass ball valves



## Features and Specifications:

- Patent n. 7011-B/89
- One piece drawn sand blasted brass body with extremely compact design
- Approved by VTT (SF), GOST-R (RU), Hygenic (RU), ROSTEKHNADZOR (RU), UkrSepro (U)
- Finest brass according to EN 12164 specification
- Each valve is seal tested for maximum safety
- Pure PTFE self-lubricating seats with flexible-lip design
- Dual sealing system allows valve to be operated in either direction making installation easier
- Chrome plated brass ball for longer life
- No metal-to-metal moving parts
- No maintenance ever required
- Blowout-proof brass stem with FPM O-ring
- Reinforced nylon black wedge handle removable with valve in service
- Handle/stem clearly show ball position
- ISO 228 parallel threads
- Silicone-free lubricant
- 30 bar (Kg/cm<sup>2</sup>) non-shock cold working pressure
- Range: -20°C +90°C temperature (+120°C screw driver version and metal wedge handle)



## Options:

- Male by Female threads
- NPT taper ANSI B.1.20.1 threads
- Dezincification Resistant brass CW602N
- Aluminum body
- Nylon wedge handle yellow, red or green
- Metal wedge handle available in colours red, black, yellow, green, light blue, chrome plated
- Grey wedge handle in Grivory® - high performing polymer
- Screw driver or wrench operated
- Additional connection options on demand.

## Upon request:

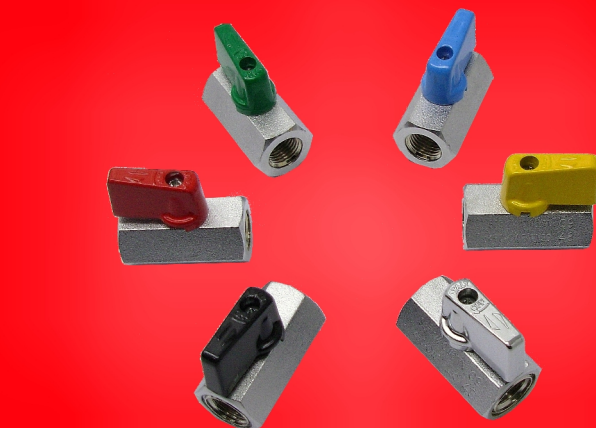
- ISO 7/1 BSPT Taper threads

## Approved By:



**NOTE: Approvals apply to specific configurations only.**

The product described in this document meets the requirements of PED Directive 97/23 and according to art.3 par.3, it does not require CE marking.

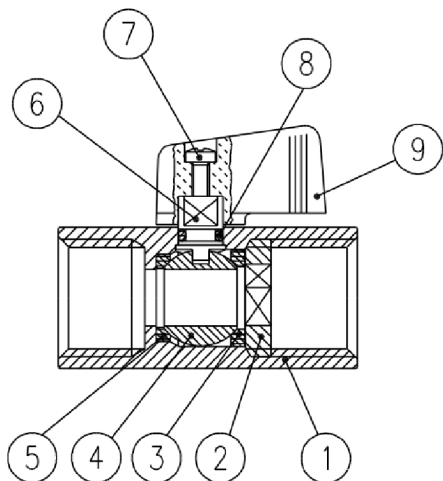


**RUB RUBINETTERIE UTENSILERIE BONOMI**

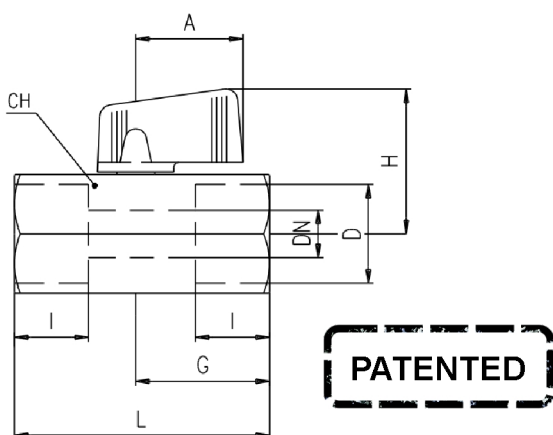
# s.35 high pressure Mini 1/8"-1/2" drawn brass ball valves



## Technical Specifications:



	PART DESCRIPTION	Q.ty	Material
1	Chrome plated body	1	CW617N
2	Retainer nut	1	CW617N
3	Retainer seat	1	Ptfe
4	Chrome plated ball	1	CW617N
5	Body seat	1	Ptfe
6	Unplated stem	1	CW617N
7	Zinc plated screw	1	CB4FF
8	O-Ring	1	FPM
9	Black handle	1	Nylon glass filled 30%

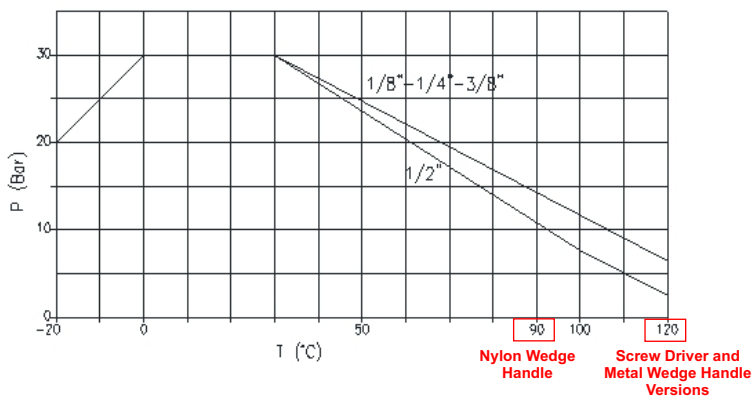


Code	S35AF0	S35BF0	S35CF0	S35DF0
D (inch)	1/8	1/4	3/8	1/2
DN(mm)	6	8	8	10
I (mm)	10	11	11	13
L (mm)	41.5	41.5	41.5	49
G (mm)	22	22	22	26
A (mm)	22.5	22.5	22.5	22.5
H (mm)	31	31	31	33
CH(mm)	21	21	21	25

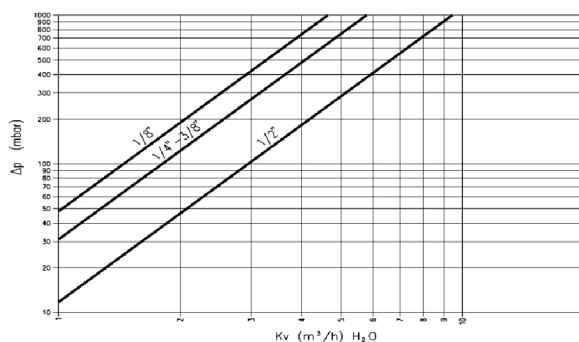
DN shows the nominal flow diameter.  
For details on other configurations, ask our Service Center.

Ask for additional information on the whole range of **RuB** valves and consult with your supplier for special applications.

Pressure - Temperature Chart



Pressure Drop Chart



The company reserves all rights for the information contained herein. Products may be changed at any time without notice. Any undated reference to a code or standard shall be interpreted as referring to the latest edition. RuB and logo are registered trademark of RuB-Rubinetteria utensilerie Bonomi. Others logos are property of respective owners.

**RUB RUBINETTERIE UTENSILERIE BONOMI**

Via Padana Superiore 27/29 25080 Ciliverghe di Mazzano (Bs) Italy  
Ph: +39 030 212441 - Fax: +39 030 262948  
sales@rubvalves.com - www.rubvalves.com

