

s.35 NPT high pressure Mini 1/8"-1/2" drawn brass ball valves



Features and Specifications:

- Patent n. 7011-B/89
- One piece drawn sand blasted brass body with extremely compact design
- Finest brass according to EN 12164 specification
- Each valve is seal tested for maximum safety
- Pure PTFE self-lubricating seats with flexible-lip design
- Dual sealing system allows valve to be operated in either direction making installation easier
- Chrome plated brass ball for longer life
- No metal-to-metal moving parts
- No maintenance ever required
- Blowout-proof brass stem with FPM O-ring
- Reinforced nylon black wedge handle removable with valve in service
- Handle/stem clearly show ball position
- NPT taper ANSI B.1.20.1 Female by Female threads
- Silicone-free lubricant
- 450 PSI non-shock cold working pressure
- Range: -4°F +200°F C temperature (+250°F screw driver version and metal wedge handle)



Options:

- Male by Female threads
- ISO 228 parallel threads
- Dezincification Resistant brass CW602N
- Aluminum body
- Nylon wedge handle yellow, red or green
- Metal wedge handle available in colours red, black, yellow, green, light blue, chrome plated
- Grey wedge handle in Grivory® - high performing polymer
- Screw driver or wrench operated
- Additional connection options on demand.

Upon request:

- ISO 7/1 BSPT Taper threads

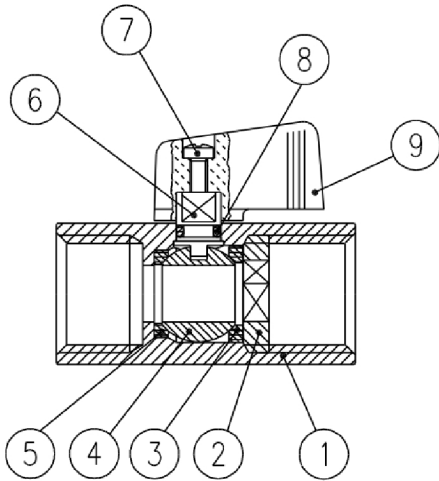


RUB RUBINETTERIE UTENSILERIE BONOMI

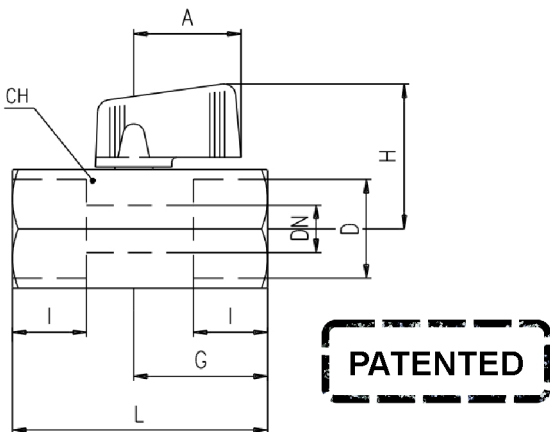
s.35 NPT high pressure Mini 1/8"-1/2" drawn brass ball valves



Technical Specifications:



	PART DESCRIPTION	Q.ty	Material
1	Chrome plated body	1	CW617N
2	Retainer nut	1	CW617N
3	Retainer seat	1	Ptfe
4	Chrome plated ball	1	CW617N
5	Body seat	1	Ptfe
6	Unplated stem	1	CW617N
7	Zinc plated screw	1	CB4FF
8	O-Ring	1	FPM
9	Black handle	1	Nylon glass filled 30%

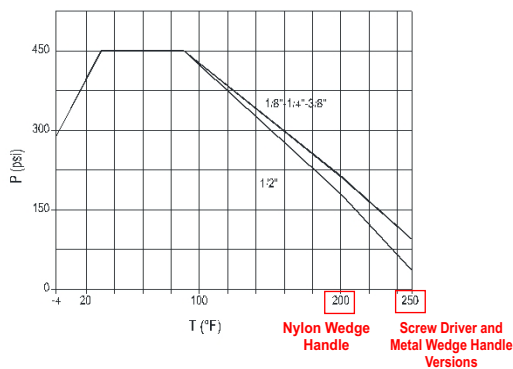


Code	S35AX0	S35BX0	S35CX0	S35DX0
D (inch)	1/8	1/4	3/8	1/2
DN(inch)	0.236	0.314	0.314	0.393
I (inch)	0.354	0.472	0.472	0.610
L (inch)	1.712	1.712	1.712	2.106
G (inch)	0.905	0.905	0.905	1.102
A (inch)	0.885	0.885	0.885	0.885
H (inch)	1.220	1.220	1.220	1.299
CH(inch)	0.826	0.826	0.826	0.984

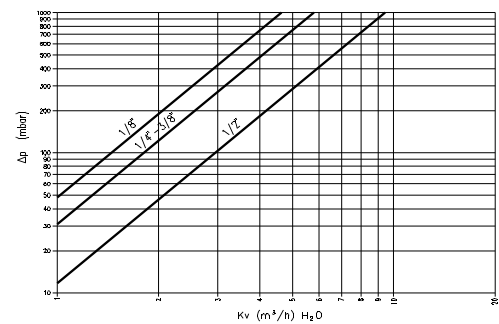
DN shows the nominal flow diameter.
For details on other configurations, ask our Service Center.

Ask for additional information on the whole range of RuB valves and consult with your supplier for special applications.

Pressure - Temperature Chart



Pressure Drop Chart



The company reserves all rights for the information contained herein. Products may be changed at any time without notice. Any undated reference to a code or standard shall be interpreted as referring to the latest edition. RuB and logo are registered trademark of RuB-Rubinetteria utensilerie Bonomi. Others logos are property of respective owners.

RUB RUBINETTERIE UTENSILERIE BONOMI

Via Padana Superiore 27/29 25080 Ciliverghe di Mazzano (Bs) Italy
Ph: +39 030 212441 - Fax: +39 030 262948
sales@rubvalves.com - www.rubvalves.com

