

# s.84 BSPT Full Port 1/4" - 4" hot forged brass ball valves



## Features and Specifications:

- Hot forged sand blasted, nickel plated brass body and cap sealed with Loctite or equivalent thread sealant
- Approved by The Australian Gas Association (AUS), Danish Board of European Technical Approval for Construction Products VA Approval (DK), tested and EC certified by BSI Group according to EN331 (UK), GOST-R (RU), Hygenic (RU), ROSTEKHNADZOR (RU), Factory Mutual (FM), UkrSepro (U), Water Regulation Advisor Scheme (United Kingdom)
- Assessment according to Pressure Equipment Directive 97/23 CE module B+D by Pascal (1115)
- Finest brass according to EN 12165 and EN 12164 (formerly DIN 17660 and UNI 5705-65) specifications
- Full port to DIN 3357 for maximum flow
- 24h 100% seal test guaranteed
- Pure PTFE self-lubricating seats with flexible-lip design
- Dual sealing system allows valve to be operated in either direction making installation easier
- Chrome plated brass ball for longer life
- No metal-to-metal moving parts
- Blowout-proof nickel plated brass stem
- Two FPM O-rings at the stem for maximum safety
- No maintenance ever required
- Handle stops on body to avoid stresses at stem
- Geomet® carbon steel handle with thick PVC dip coating
- Handle clearly shows ball position
- ISO 7/1, BS 21 BSPT Taper Female by Female threads
- Silicone-free lubricant on all seals
- 40 bar (Kg/cm<sup>2</sup>) up to 2", 30 bar over 2", non-shock cold working pressure
- Range: -40°C +170°C temperature (Warning: freezing of the fluid in the installation may severely damage the valve)
- For use with dangerous fluids temperature rating is -20°C +60°C and pressure rating is 5 bar



## Options up to 2" size:

- Male by Female threads
- Stem extension
- T-handle
- Oval lockable handle up to 2", round over 2"
- AISI 430 stainless steel handle
- Patented locking device for valves up to 4"

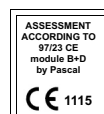
## Upon request:

- AISI 316 stainless steel ball and/or stem,
- Glass filled PTFE seats,
- Custom design.

## Approved By:



NOTE: Approvals apply to specific configurations only.



**RUB RUBINETTERIE UTENSILERIE BONOMI**

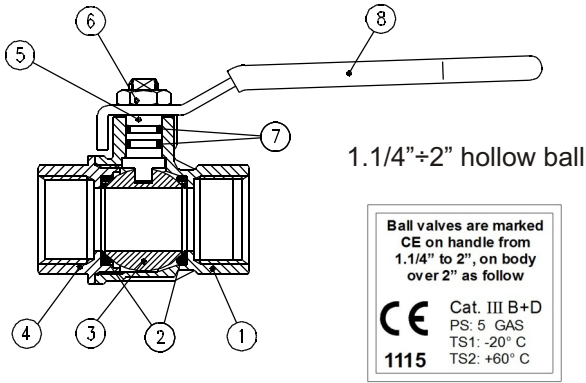
# s.84 BSPT

## Full Port 1/4" - 4"

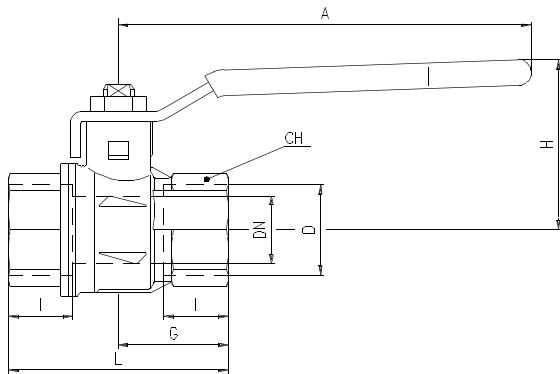
### hot forged brass ball valves



#### Technical Specifications:



PART DESCRIPTION		Q.ty	Material
1	Nickel plated body	1	CW617N
2	Seat	2	Ptfe
3	Chrome plated ball	1	CW617N
4	Nickel plated end cap	1	CW617N
5	Nickel plated stem O-ring design	1	CW617N
6	Geomet® nut	1	CB4FF
7	O-ring	2	FPM
8	Yellow PVC coated geomet® steel handle	1	DD11

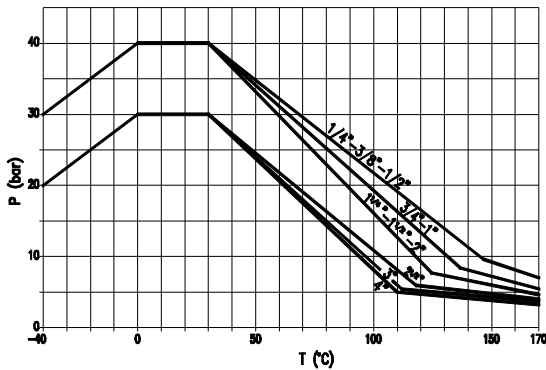


Code	S84B50	S84C50	S84D50	S84E50	S84F50	S84G50	S84H50	S84I50	S84L50	S84M50	S84N50
D (inch)	1/4	3/8	1/2	3/4	1	1 1/4	1 1/2	2	2 1/2	3	4
DN (mm)	8	10	15	20	25	32	40	50	65	80	100
I (mm)	12	12	15.5	17	21	23	23	26.5	32	35	41.5
L (mm)	45	45	59	64	81	93	102	121	156	177	216
G (mm)	22.5	22.5	29.5	32	40.5	46.5	51	60.5	78	88.5	108
A (mm)	82	82	100	120	120	158	158	158	255	255	255
H (mm)	38	38	43	50	54	73	79	86	132	140	154
CH (mm)	20	20	25	31	40	49	54	68.5	85	99	125

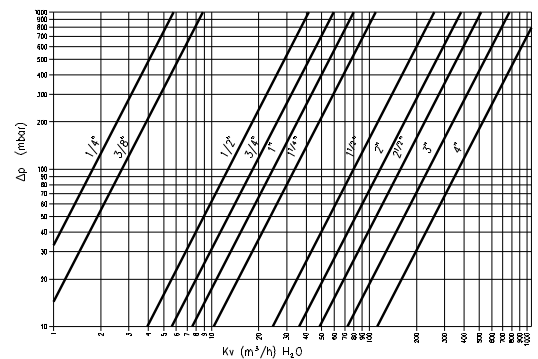
DN shows the nominal flow diameter.  
Actual flow diameter complies with full port DIN 3357 part 4.  
Stem configuration of valves over 2" is slightly different.  
Ask for details at our Service Center

Ask for additional information on the whole range of RuB valves and consult with your supplier for special applications.

Pressure - Temperature Chart



Pressure Drop Chart



The company reserves all rights for the information contained herein. Products may be changed at any time without notice. Any undated reference to a code or standard shall be interpreted as referring to the latest edition. RuB and logo are registered trademark of RuB-Rubinetteria utensilerie Bonomi. Others logos are property of respective owners.

